

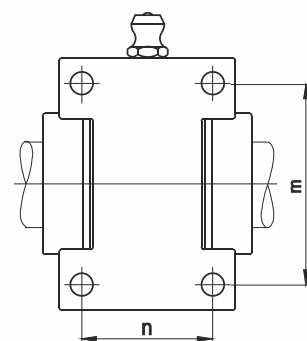
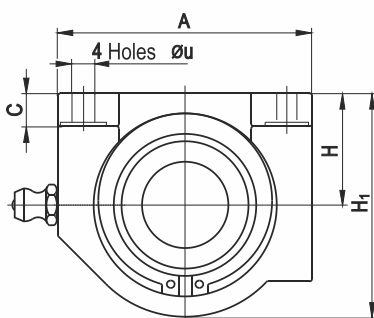
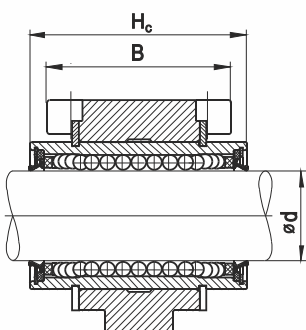
LINEAR BALL GUIDES IN PT HOUSING UNITS



PT Housing Unit



Linear Ball Guide in PT Housing UNIT



Housing marking	Dimensions in mm										Ring sedimentary resilient	Guide
	$\varnothing d$	A	B	C	H $\pm 0,02$	H ₁	H _c	m $\pm 0,15$	n $\pm 0,15$	$\varnothing u$		
PT16	16	50	35	6,5	22	44	37	40	26	4,5	28z	PLB16PP
PT20	20	60	42	8	25	50	42	45	32	4,5	32z	PLB20PP
PT25	25	74	54	9	30	60	59	60	40	5,5	40z	PLB25PP
PT30	30	84	60	10	35	70	64	68	45	6,5	45z	PLB30PP
PT35	35	100	72	12	40	80	70	77	52	8,5	52z	PLB35PP
PT40	40	108	78	12	45	90	80	86	58	8,5	60z	PLB40PP